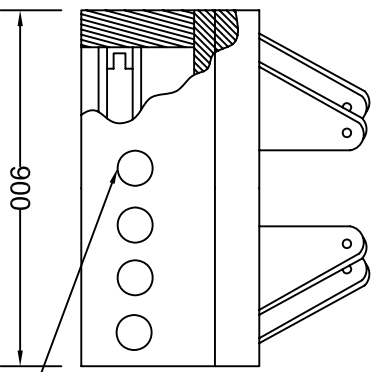
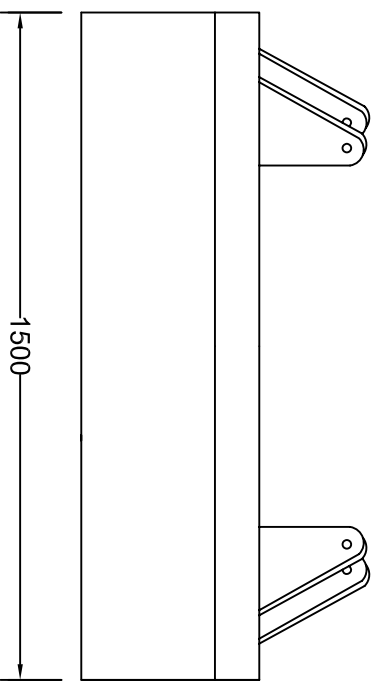
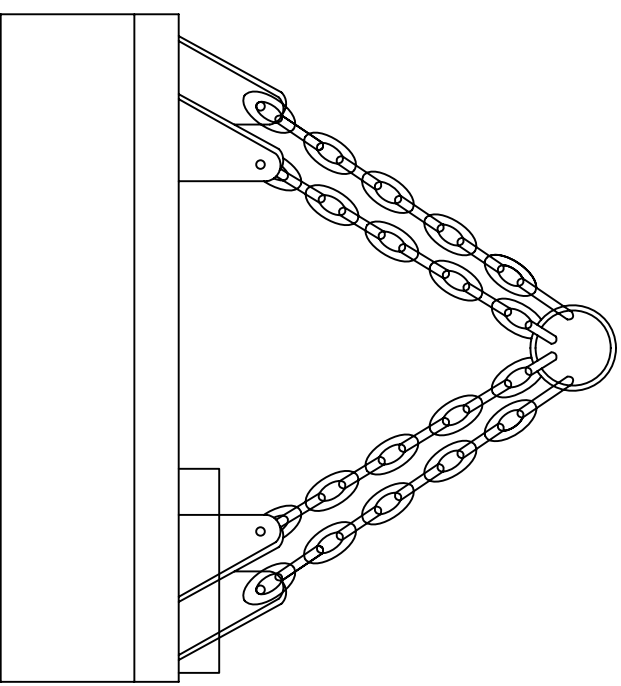


MAGNET SPECIFICATION	
MAGNET WEIGHT (WITH CHAIN)	3.5 M.T.
VOLTS	220 V D.C.
POWER RATING	6 K W PER MAGNET
WEIGHT	3.5 M.T.
DUTY CYCLE	75%
INSULATION	"H"



Air vents for keeping magnet cool

CLIENT:-	DRAWN	B.DUTTA
	DESIGNED	M.B.S
ORDER NO:-	CHECKED	
	APPROVED	
	SCALE	N.T.S.
	DATED	05.04.2011



ISC America
 P.O. Box 1681, Menton Ohio
 United States of America
 Ph. +14402908947
 Email : info@iscamerica.us
 Site : www.iscamerica.us

TITLE:	G.A. DRAWING OF RECTANGULAR MAGNET 1500MM X 900MM		
DRG. No.	REV. NO. & DATE	0	
	COMP. FILE NO.		
	SHEET NO.		